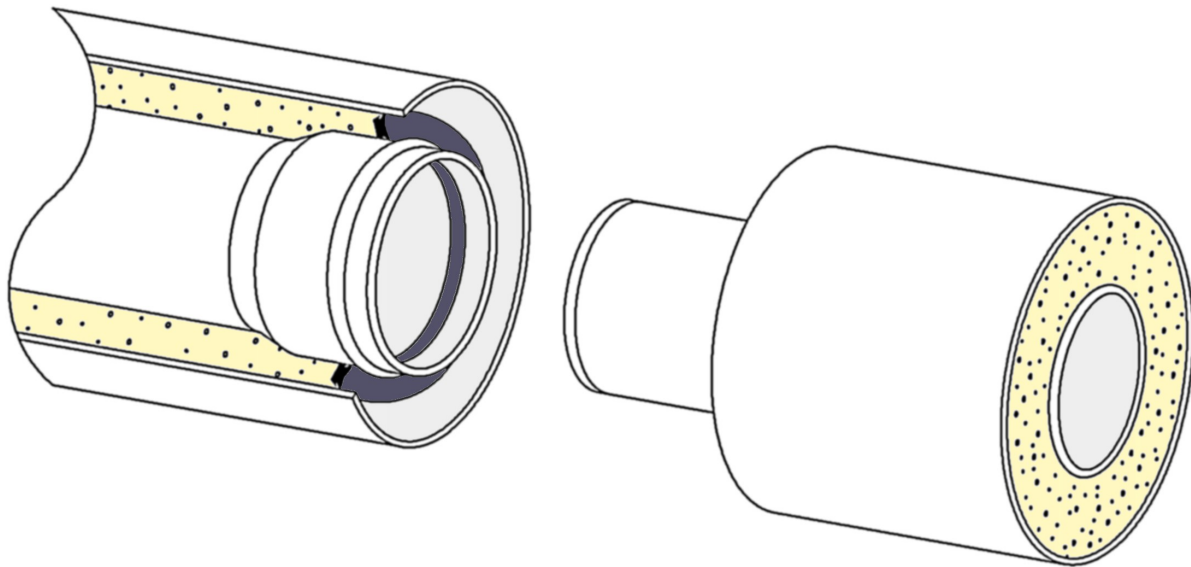


Thermal Pipe Systems, Inc.

KOOL-KORE®

Economical Gasketed PVC Piping System
Featuring High Flow, Corrosion Free Service
For
Chilled Water Service



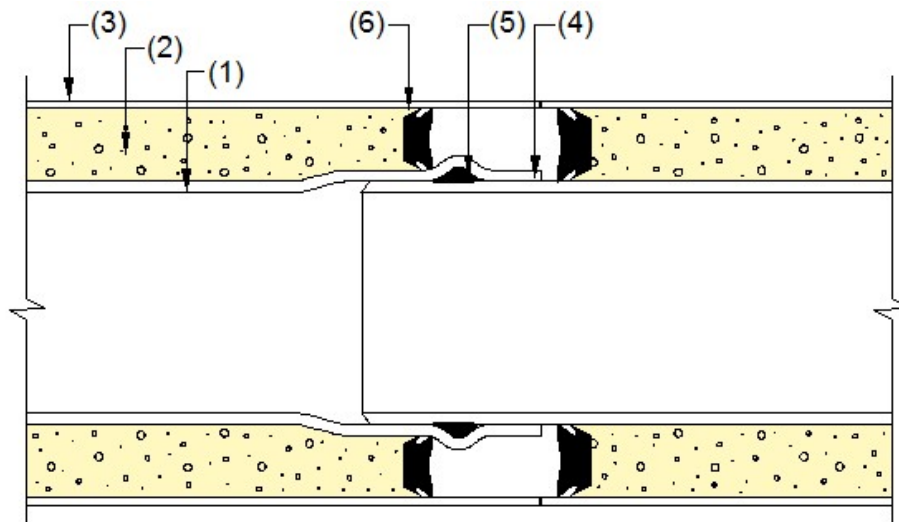
Kool-Kore is a factory pre-insulated, low cost polyvinyl chloride piping system for underground chilled water system. It may only be used in for water only in temperatures to 70°F and a pressure of 150 psi, or up to 120°F if pressure is reduced to 60 psi. It may be used at higher pressures for chilled water.

The carrier pipe is a lightweight, corrosion resistant, Class 160 PVC with a grooved bell end containing a flexible rubber ring. Insulation is a thermally efficient polyurethane foam with a 'K' factor of 0.16 at 70°F. The heavy wall PVC or HDPE casing and heavy-duty compression end seals prevent ground water infiltration.

To join Kool-Kore, lubricate the spigot end and push it home into the bell. The joint compensates for thermal movement without additional stress on the pipe. There is no need for loops or other expansion devices. In the field the system is easily adaptable to other materials with commonly available tools. Standard solvent-weld fittings or rubber ring fittings are used to make changes in direction with this product.

Kool-Kore combines corrosion resistant features of PVC and its ability to maintain high flow characteristics with the thermal efficiency of polyurethane insulation to make this pipe and excellent choice for chilled water systems.

KOOL-KORE®



- (1) CARRIER: PVC Pipe. (4) BELL: Grooved PVC
 (2) INSULATION: Polyurethane Foam (5) CARRIER SEALING RING: Rubber
 (3) CASING: PVC or HDPE (6) END SEAL: Compression Rubber

NOMINAL PIPE SIZE (IN.)	NOMINAL CASING SIZE (IN.)	CARRIER O.D. (IN.)	CASING O.D. (IN.)	THICKNESS		WEIGHT (LBS./ 20 FT.)
				FOAM (IN.)	PVC CASING (IN.)	
1 1/2	4	1.90	4.50	1.16	0.140	34
2	4	2.38	4.50	0.92	0.140	36
2 1/2	6	2.88	6.14	1.51	0.120	50
3	6	3.50	6.14	1.20	0.120	55
4	8	4.50	8.16	1.67	0.160	96
6	10	6.63	10.20	1.59	0.200	166
8	12	8.63	12.24	1.57	0.240	253
10	14	10.75	14.28	1.49	0.280	313
12	16	12.75	16.00	1.38	0.250	438
14	18	14.00	18.70	1.98	0.370	629
16	21	16.00	22.05	2.59	0.430	857

NOTE: Standard lengths are 20'-0". Weights are approximate. Consult manufacturer for HDPE dimensional data.

SHORT FORM SPECIFICATIONS

1.1 All underground pre-insulated pipe 1 1/2" – 16" shall be Thermal Pipe Systems, Inc. Kool-Kore® piping with gasketed joints.

1.2 Carrier pipe shall be suitable for use at maximum hydrostatic working pressure of 160 psi at 73°F. All core pipe must meet requirements as set forth in ASTM D2241 with standard dimension ratio SDR 26 and bearing National Sanitation Foundation seal for potable water pipe.

1.3 Each joint shall automatically provide for expansion and contraction through the rubber sealing rings placed in the groove of the integral bell. Pipe and fittings must be assembled with a non-toxic lubricant supplied by Thermal Pipe Systems.

1.4 Casing pipe shall be [Polyvinyl Chloride (PVC) meeting the minimum classification requirements of ASTM D-1784] or [High Density Polyethylene (HDPE)]. The thickness shall be in accordance with the Thermal Pipe Systems published data.

1.5 The insulation shall be polyurethane foam completely encapsulated on each end by a compression rubber end seal.

1.6 The rubber end seals shall be a compression rubber.

1.7 Fittings may be solvent weld or slip-on type PVC or ductile iron slip-on type.

WARRANTY

We warrant that our products are manufactured with the applicable material specifications and are free from defects in the workmanship and material using our specifications as a standard. Every claim under this warranty shall be deemed waived unless in writing received by Thermal Pipe systems, Inc. within (30) days of the date the defect was discovered and within (1) year of the date of shipment of the product. Thermal Pipe Systems, Inc. MAKES NO REPRESENTATION OR WARRANTY OF ANY KIND, EXPRESSED OR IMPLIED, IN FACT OR IN LAW, INCLUDING WITHOUT LIMITATION THE WARRANTY OF MERCHANTABILITY OR THE WARRANTY OF FITNESS FOR A PARTICULAR PURPOSE, OTHER THAN THE LIMITED WARRANTY SET FORTH ABOVE.

LIMITATIONS AND LIABILITY

It is expressly understood and agreed that the limit of Thermal Pipe Systems, Inc. liability shall be the resupply of a like quantity of nondefective product and that Thermal Pipe Systems, Inc. shall have no such liability except where the damage or claim results solely from the breach of the Thermal Pipe Systems, Inc. warranty. IT IS ALSO AGREED THAT THERMAL PIPE SYSTEMS, INC. SHALL NOT BE LIABLE FOR ANY INCIDENTAL, CONSEQUENTIAL, OR OTHER DAMAGES FOR ANY ALLEGED NEGLIGENCE, BREACH OF WARRANTY, STRICT LIABILITY OR ANY OTHER THEORY, OTHER THAN THE LIMITED LIABILITY SET FORTH.

Thermal Pipe Systems, Inc.

5205 W. Woodmill Dr. Suite 33 – Wilmington, DE 19808

Tel: 302-999-1588 – Fax: 302-999-8861

Website: www.thermalpipesystems.com

